
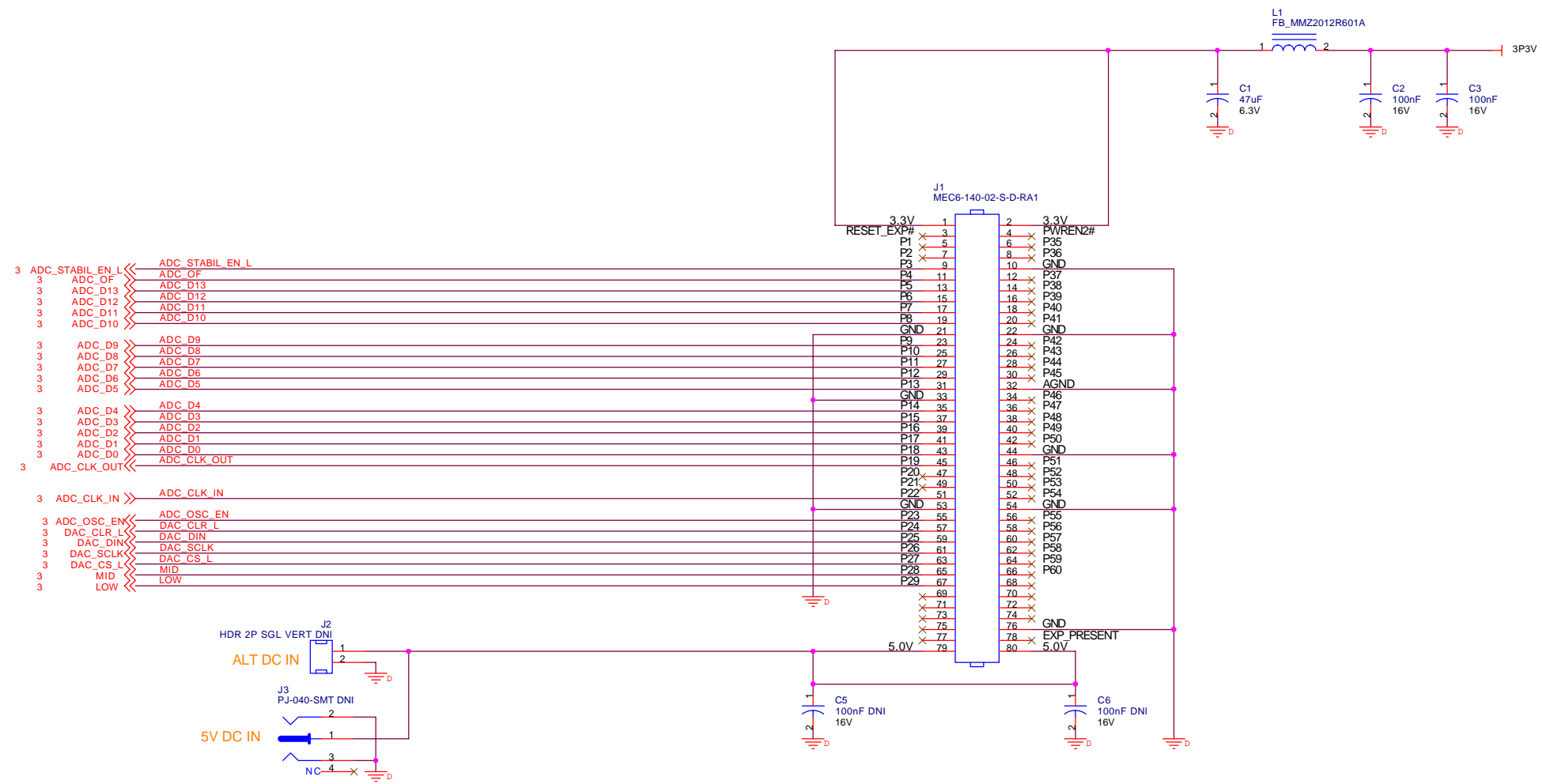


Revision	Date	Author	Description
XA1	2012 Mar 26	Cowling	Original Drawing
XA2	2012 Mar 29	Cowling	Update filter components and part numbers
XA3	2012 Apr 5	Cowling	Add EMI filter and bleeder resistor to phones output
XA4	2012 Jun 28	Cowling	Add antenna buffer, adjust LNA gain
XA5	2012 Jul 11	Cowling	Change antenna and antenna buffer, change LNA to LTC6409
XA6	2012 Jul 13	Cowling	Change Q1 to MMBT6429 and finalize gain and follower values
XA7	2012 Jul 16	Cowling	Fix U3 value field, add terminator to ADC_CLK
XA8	2012 Jul 17	Cowling	Change C1 and L1 to 0805, remove 2 mounting holes
XA9	2012 Jul 18	Cowling	Swap R10/R13 connections to U3; swap U4 pins 1 and 2; change R9 to 0805; delete SC2
XA10	2012 Jul 23	Cowling	Change C31 ground connection, J2 (DNI) to thru-hole
XA11	2012 Jul 26	Cowling	Change J2 (DNI) back to SMT, add C47, swap J1 pins, change R15-1 to ADC_VDD
XA12	2012 Jul 26	Cowling	Swap J1 pins, float U6-5, tie U4 pins 10 and 11 to gnd
XA13	2012 Jul 26	Cowling	Switch to 4-layers; add clock buffer, swap R3/C13, U1 powered from ADC_VDD, SMA to thru hole
XA14	2012 Jul 30	Cowling	Add C43 bypass, pin swap
XA15	2012 Aug 2	Cowling	Add U8 TS clock buffer, change U7 to TS
XA16	2012 Aug 6	Cowling	Add C49, remove DNI on C4 and U1
XA17	2012 Aug 10	Cowling	Change U7 power feed from O_VDD to ADC_VDD
XA18	2012 Aug 24	Cowling	Change L3 to 220uH, C10 to 39pF, C11 to 75pF and C12 to 150pF

Copyright 2012, Zephyr Engineering, Inc

		Title	
		BeRadio Receiver	
Size	Document Number	Rev	
C	<Doc>	XA18	
Date:	Friday, August 24, 2012	Sheet	1 of 3



BeMicro FPGA Pin Assignments

P1=CLK12 (BOTTOM)
P2=CLK13 (BOTTOM)
P35=CLK14 (BOTTOM)
P36=CLK15 (BOTTOM)

P9=CDPCLK1 (LEFT)
P15=CDPCLK4 (RIGHT)
P43=CDPCLK2 (LEFT)

P14=DPCLK1 (LEFT)
P21=DPCLK4 (BOTTOM)
P22=DPCLK0 (LEFT)
P39=DPCLK2 (BOTTOM)
P58=DPCLK6 (RIGHT)
P60=DPCLK3 (BOTTOM)

